

 ICOM

IC-M220

VHF MARINE TRANSCEIVER

High Quality, Excellent Performance

MADE IN
JAPAN



Compact Body

(W x H x D; 156.5 x 66.5 x 110.1 mm; 6.2 x 2.6 x 4.3 in)

Easy Installation in Limited Space

**Powerful Front Mount Speaker
Delivers Loud and Clear Audio**

**Built-in Class D DSC with a CH70
Dedicated Receiver**

**Intuitive Operation with
Icom's Marine User Interface**

Easy-to-Read Full Dot-Matrix Display

**HM-237B Detachable
Hand Microphone Supplied**

**IPX7 Submersible Construction
(1 m depth of water for 30 minutes)**

**AquaQuake™ Prevents Audio Degradation
from a Water-Logged Speaker**

Made in Japan Quality and Reliability

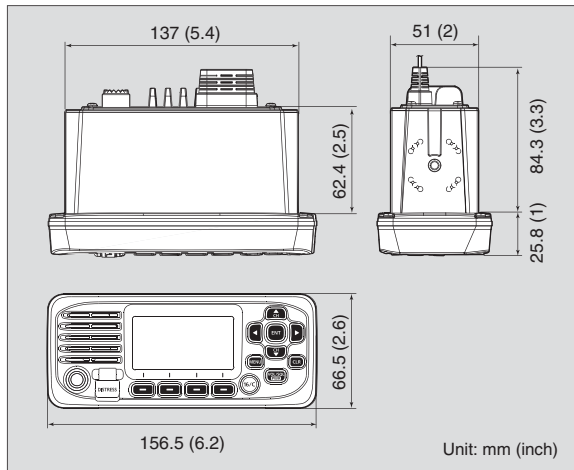
And more

- Common NMEA interface for external GPS/NAV connection
- MA-500TR Class B AIS transponder compatible
- Tag scan and favorite channel functions
- Dual/tri-watch function for monitoring CH16 and/or call channel
- Priority scan function
- Display and keypad backlighting
- External speaker connection
- Weather channel with weather alert

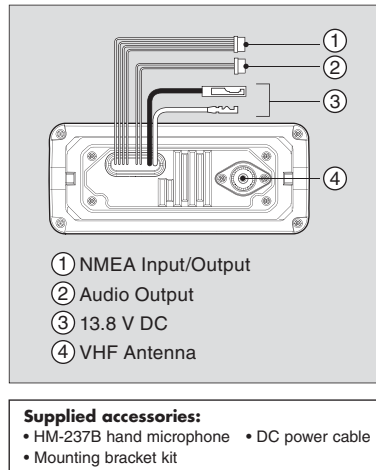
OPTIONS

| | | | |
|--|---|--|---|
| <p>CLASS B AIS TRANSPONDER</p>  <p>MA-500TR</p> | <p>HORN SPEAKER</p>  <p>SP-37</p> | <p>FLUSH MOUNT KIT</p>  <p>MBF-5</p> | <p>HM-237B HAND MICROPHONE Same as supplied.</p> |
|--|---|--|---|

DIMENSIONS



REAR PANEL VIEW



SPECIFICATIONS

| GENERAL | | |
|---|------------------------------|---|
| Frequency range | Tx Rx CH70 | 156.025–157.425 MHz 156.050–163.275 MHz 156.525 MHz |
| Usable channels | | USA, CAN, INT, WX channels |
| Type of emission | | 16K0G3E (FM), 16K0G2B (DSC) |
| Power supply requirement | | 13.8 V DC nominal (11.7–15.9 V DC) |
| Current drain (at 13.8 V DC) | Tx 25 W output Rx AF max. | 5 A 1.2 A |
| Operating temperature range | | –20°C to +60°C; –4°F to +140°F |
| Antenna impedance | | 50 Ω (SO-239) |
| Dimensions (W×H×D) (projections not included) | | 156.5 × 66.5 × 110.1 mm; 6.2 × 2.6 × 4.3 in |
| Weight (approx.) | | 700 g; 1.5 lb (with HM-237B) |
| NMEA formats | Input Output | RMC, GGA, GNS, GLL, VTG DSC, DSE, RMC, GSA, GSV |
| TRANSMITTER | | |
| Output power (at 13.8 V DC) | | 25 W, 1 W |
| Max. frequency deviation | | ±5 kHz |
| Frequency tolerance | | ±5 ppm |
| Spurious emissions | | Less than –60 dBc |
| RECEIVER | | |
| Sensitivity | Main DSC | –13 dBμ typ. (12 dB SINAD) –5 dBμ emf typ. (1% BER) |
| Squelch sensitivity | | Less than –10 dBμ |
| Adjacent channel selectivity | Main DSC | More than 68 dB More than 68 dBμ emf (1% BER) |
| Intermodulation | Main DSC | More than 63 dB More than 55 dBμ emf (1% BER) |
| Hum and noise | | More than 40 dB |
| Audio output power (at 10% distortion, 4 Ω load) | | 4.5 W typical |
| Measurements made in accordance with TIA/EIA-603. All stated specifications are subject to change without notice or obligation. | | |
| Applicable IP Rating | | |
| Ingress Protection Standard | | |
| Water | | IPX7 (Waterproof protection) |



Designed, engineered and Made in Japan.

Icom has its own manufacturing facilities in Japan. All Icom products are tested to pass rigorous in-house tests as well as environmental tests at the Wakayama Icom plant before shipping.



The "3D GENUINE Icom label" is attached to the rear panel. Check the Icom website for details: <http://www.icom.co.jp/world/genuine-info/>

Icom, Icom Inc. and Icom logo are registered trademarks of Icom Incorporated (Japan) in Japan, the United States, the United Kingdom, Germany, France, Spain, Russia, Australia, New Zealand and/or other countries. AQUAQUAKE is a trademark of Icom Incorporated. All other trademarks are the properties of their respective holders.

Icom Inc.

1-1-32, Kamiminami, Hirano-Ku, Osaka 547-0003, Japan Phone: +81 (06) 6793 5302 Fax: +81 (06) 6793 0013

www.icom.co.jp/world

Count on us!

Icom America Inc.
www.icomamerica.com

Icom (Europe) GmbH
www.icomeurope.com

Icom (Australia) Pty. Ltd.
www.icom.net.au

Your local distributor/dealer:

Icom Canada
www.icomcanada.com

Icom Spain S.L.
www.icomspain.com

Icom Brazil
E-mail: sales@icombrasil.com

Icom (UK) Ltd.
www.icomuk.co.uk

Icom France s.a.s.
www.icom-france.com