

# The Performance, Reliability, Quality and Value You Asked For



Actual size



### Compact and IPX7 Submersible Body

Withstands 1m depth of water for 30 minutes.



### Powerful Front Mount Speaker

Delivers loud and intelligible audio even in noisy maritime environments.



### Class Leading Receiver Performance

No compromise in operating fundamentals (75dB typical IMD and selectivity).



### Large Easy-to-see LCD

Large (W×H: 43×27mm) LCD shows essential information clearly with 4-step backlighting.



### Dualwatch and Tri-watch Function

Monitors CH 16 and/or call channel, while using another channel.



### Favorite Channel Function

Offers quick channel selection from the microphone up/down buttons.



### AquaQuake™ Draining Function

Water free speaker grill for optimal audio at all times.



## Other Features

- Accurate and reliable temperature compensated frequency stability
- Channel operation with the supplied hand microphone, HM-164B
- Instant-access button for Channel 16 and call channel
- Priority scan and Normal scan
- Built-in low voltage indicator
- Programmable private channels (subject to local regulations)

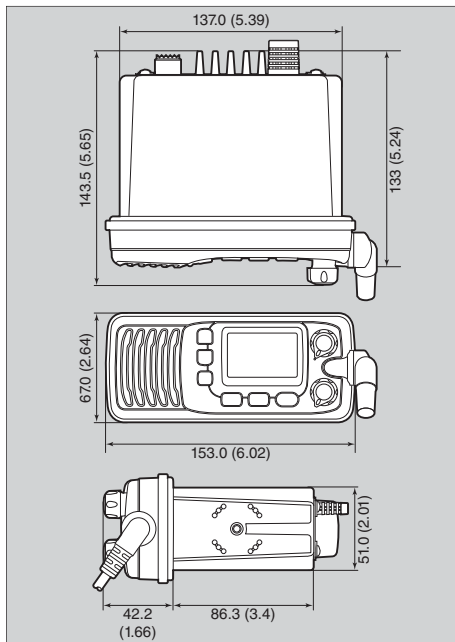
## OPTIONS

Some options may not be available in some countries. Please ask your dealer for details.

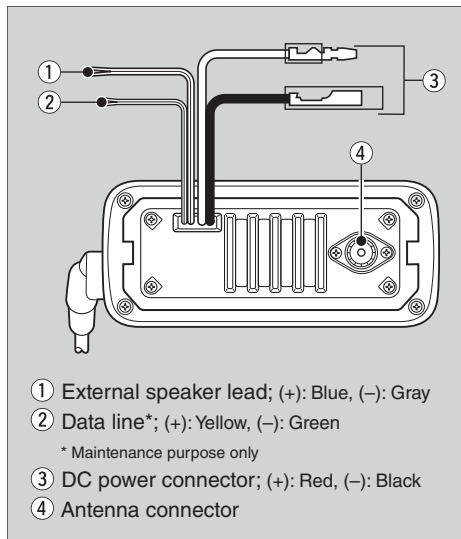


**HAND MICROPHONE**  
HM-164B  
IPX7 submersible  
(1m depth for 30 minutes).  
Same as supplied.

## DIMENSIONS



## REAR PANEL CONNECTIONS



**Supplied accessories:**

- Hand microphone, HM-164B
- DC power cable
- Mounting bracket kit

## SPECIFICATIONS

GENERAL		
Frequency range	Tx Rx	156.025–162.000 MHz 156.025–162.025 MHz
Usable channel groups		INT, USA, CAN channels
Type of emission		16K0G3E (FM)
Power supply voltage		13.8 V DC nominal (11.7 V–15.9 V DC)
Current drain	Tx (at 25 W output) Rx (Maximum audio)	5.5 A (Maximum) 1.5 A (Maximum)
Operating temperature range		–20°C to +60°C; –4°F to +140°F
Antenna impedance		50 Ω
Dimensions (W×H×D) (projections not included)		153×67×133 mm; 6.0×2.6×5.2 inch
Weight (approximately)		790 g; 1.7 lb
TRANSMITTER		
Output power		25 W (High power) 1 W (Low power)
Modulation		Variable reactance frequency modulation
Max. frequency deviation		±5 kHz
Frequency stability		±5 ppm
Spurious emissions		Less than –70 dBc (High power) Less than –56 dBc (Low power)
Adjacent channel power		More than 70 dB
Audio harmonic distortion		Less than 10% (at 60% dev.)
Residual modulation		More than 40 dB
RECEIVER		
Intermediate frequency	1st 2nd	21.7 MHz 450 kHz
Sensitivity		–14 dBμ typ. (at 12 dB SINAD)
Squelch sensitivity		Less than –10 dBμ
Adjacent channel selectivity		75 dB typical
Spurious response		75 dB typical
Intermodulation		75 dB typical
Hum and noise		More than 40 dB
Audio output power		4.5 W typical (at 10% distortion with a 4 Ω load)

Measurements made in accordance with TIA/EIA 603. All stated specifications are subject to change without notice or obligation.

### Applicable U.S. Military Specifications

Standard	MIL 810 G	
	Method	Procedure
Temperature Shock	503.5	I-C
Rain Blowing	506.5	I
Humidity	507.5	II
Salt Fog	509.5	–
Vibration	514.6	I
Shock	516.6	I

Also meets equivalent MIL-STD-810-C, -D, -E and -F.

### Applicable IP Rating

Ingress Protection Standard	
Water	IPX7 (Waterproof protection)



## Designed, engineered and Made in Japan.

All Icom products are tested to pass rigorous in-house tests as well as environmental tests at the Wakayama Icom plant before shipping. Our world-leading products and quality is legendary.



The "3D GENUINE Icom label" is attached to the rear panel. Check the Icom website for details:  
<http://www.icom.co.jp/world/genuine-info/>

Icom, Icom Inc. and Icom logo are registered trademarks of Icom Incorporated (Japan) in Japan, the United States, the United Kingdom, Germany, France, Spain, Russia, Australia, New Zealand and/or other countries. AQUAQUAKE is a trademark of Icom Incorporated. All other products or brands are registered trademarks or trademarks of their respective holders.

**Icom Inc.** 1-1-32, Kamiminami, Hirano-Ku, Osaka 547-0003, Japan Phone: +81 (06) 6793 5302 Fax: +81 (06) 6793 0013

[www.icom.co.jp/world](http://www.icom.co.jp/world)

**Count on us!**

**Icom America Inc.**  
12421 Willows Road NE,  
Kirkland, WA 98034, U.S.A.  
Phone: +1 (425) 454-8155  
Fax: +1 (425) 454-1509  
E-mail: [sales@icomamerica.com](mailto:sales@icomamerica.com)  
URL: <http://www.icomamerica.com>

**Icom (Europe) GmbH**  
Communication Equipment  
Auf der Krautweide 24  
65812 Bad Soden am Taunus, Germany  
Phone: +49 (6196) 76685-0  
Fax: +49 (6196) 76685-50  
E-mail: [info@icomeurope.com](mailto:info@icomeurope.com)  
URL: <http://www.icomeurope.com>

**Icom France s.a.s.**  
Zac de la Plaine,  
1 Rue Brindejone des Moulinais, BP 45804,  
31505 Toulouse Cedex 5, France  
Phone: +33 (5) 61 36 03 03  
Fax: +33 (5) 61 36 03 00  
E-mail: [icom@icom-france.com](mailto:icom@icom-france.com)  
URL: <http://www.icom-france.com>

Your local distributor/dealer:

**Icom Canada**  
Glenwood Centre #150-6165  
Highway 17A, Delta, B.C.,  
V4K 5B8, Canada  
Phone: +1 (604) 952-4266  
Fax: +1 (604) 952-0090  
E-mail: [info@icomcanada.com](mailto:info@icomcanada.com)  
URL: <http://www.icomcanada.com>

**Icom Spain S.L.**  
Ctra. Rubi, No. 88 "Edificio Can Castanyer"  
Bajos A 08174, Sant Cugat del Valles,  
Barcelona, Spain  
Phone: +34 (93) 590 26 70  
Fax: +34 (93) 589 04 46  
E-mail: [icom@icomspain.com](mailto:icom@icomspain.com)  
URL: <http://www.icomspain.com>

**Icom (Australia) Pty. Ltd.**  
Unit 1 / 103 Garden Road,  
Clayton, VIC 3168 Australia  
Phone: +61 (03) 9549 7500  
Fax: +61 (03) 9549 7505  
E-mail: [sales@icom.net.au](mailto:sales@icom.net.au)  
URL: <http://www.icom.net.au>

**Icom Brazil**  
Rua Itororó, 444 Padre Eustáquio  
Belo Horizonte MG,  
CEP: 30720-450, Brazil  
Phone: +55 (31) 3582 8847  
Fax: +55 (31) 3582 8987  
E-mail: [sales@icombrasil.com](mailto:sales@icombrasil.com)

**Icom (UK) Ltd.**  
Blacksale House, Altira Park,  
Herne Bay, Kent, CT6 6GZ, U.K.  
Phone: +44 (0) 1227 741741  
Fax: +44 (0) 1227 741742  
E-mail: [info@icomuk.co.uk](mailto:info@icomuk.co.uk)  
URL: <http://www.icomuk.co.uk>